

18C
4051

VW T6, Modell 2015 =>
VW T5, Md. 04/2003, 10/2009

Flankenschutzrohr oval L1 Radstand 3000mm
oval Side bar L1 wheel base 3000mm
Côté bar ovale L1 empattement 3000mm



ASSEMBLY INSTRUCTION

Montageanleitung • Instructions de montage



40 Minuten

article no.:
18C4051 (S) inox
18C5051 black steel

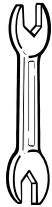
Revision 4: 20.11.2018


www.antec-online.de

M8 (A2):
21,4 Nm
M8:
25 Nm
M10:
50 Nm

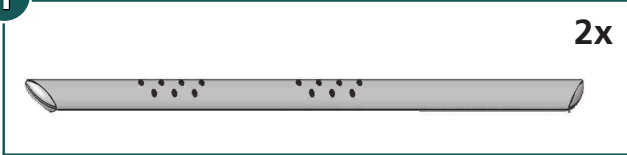


13
17



18C4051.1R / 18C4051.2L
18C5051.1R / 18C5051.2L

1

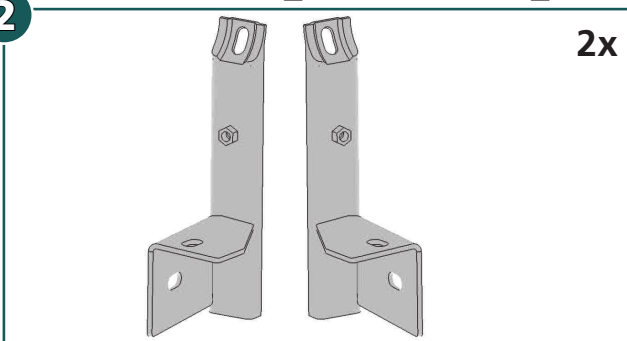


mounting kit: 18C9051

	M8 x 25; DIN 933 A2	4x
	M8 x 35; DIN 933 Zn	4x
	M10 x 25; DIN 933 Zn	2x
	M8; DIN 934 Zn	4x
	M10; DIN 934 Zn	4x
	Ø 8,4; DIN 9021 Zn	4x

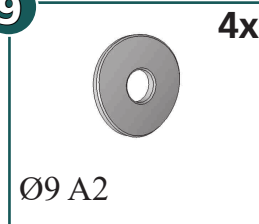
2

18C5030.1_R / 18C5030.2_L



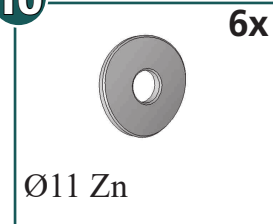
9

005498



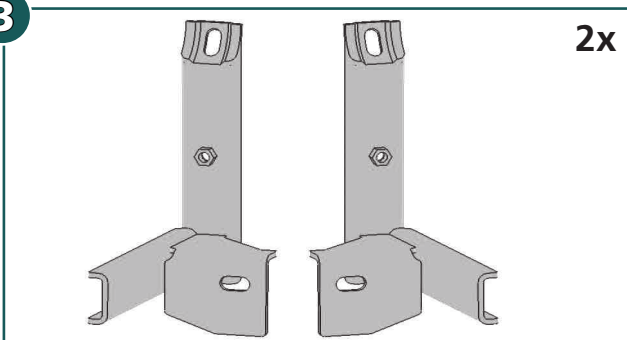
10

005493



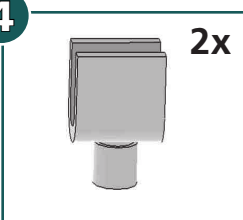
3

18C5035.1_R / 18C5035.2_L



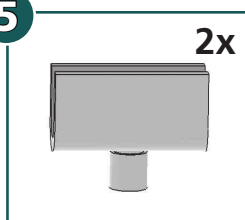
4

18C5036.1



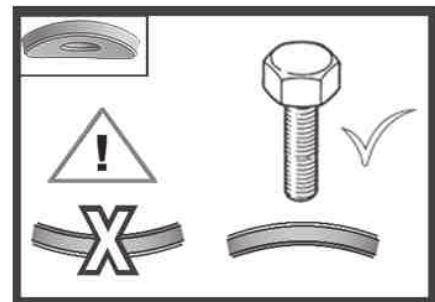
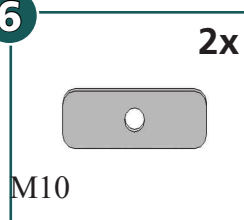
5

18C5036.2



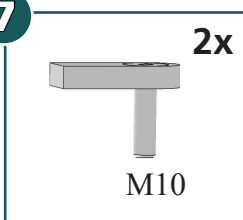
6

1425062



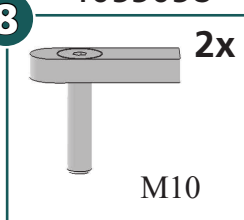
7

1945058



8

1055058



article no.:

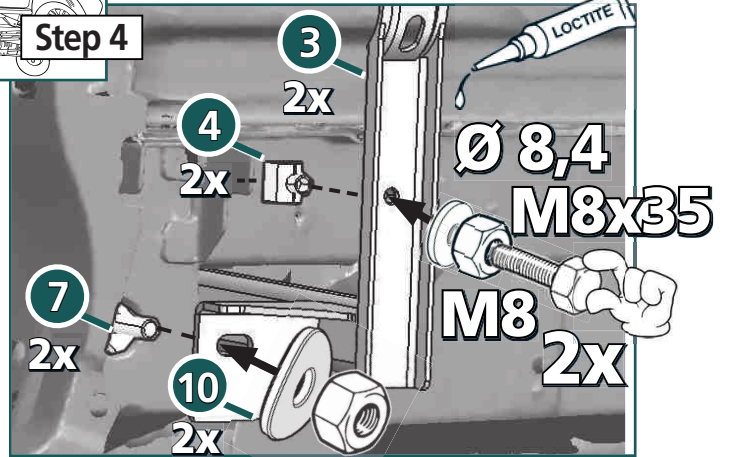
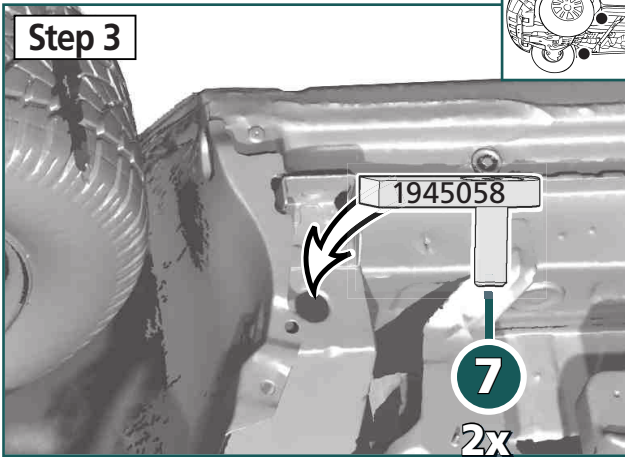
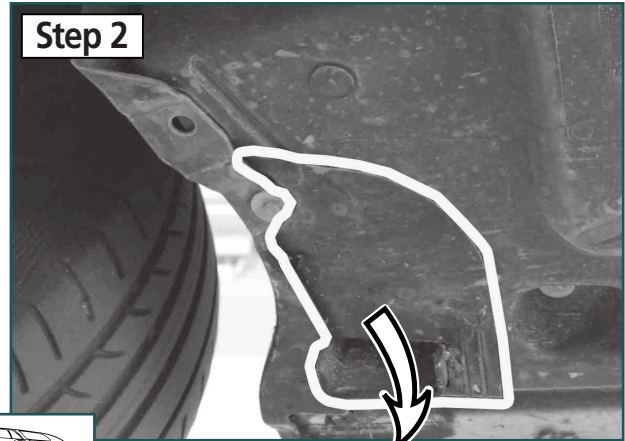
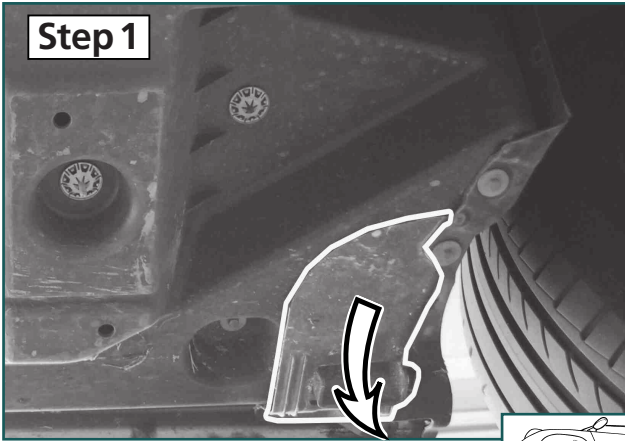
18C4051 (S) inox

18C5051 black steel

Revision 4: 20.11.2018



front - vorne - avant



back - hinten - arrière

