

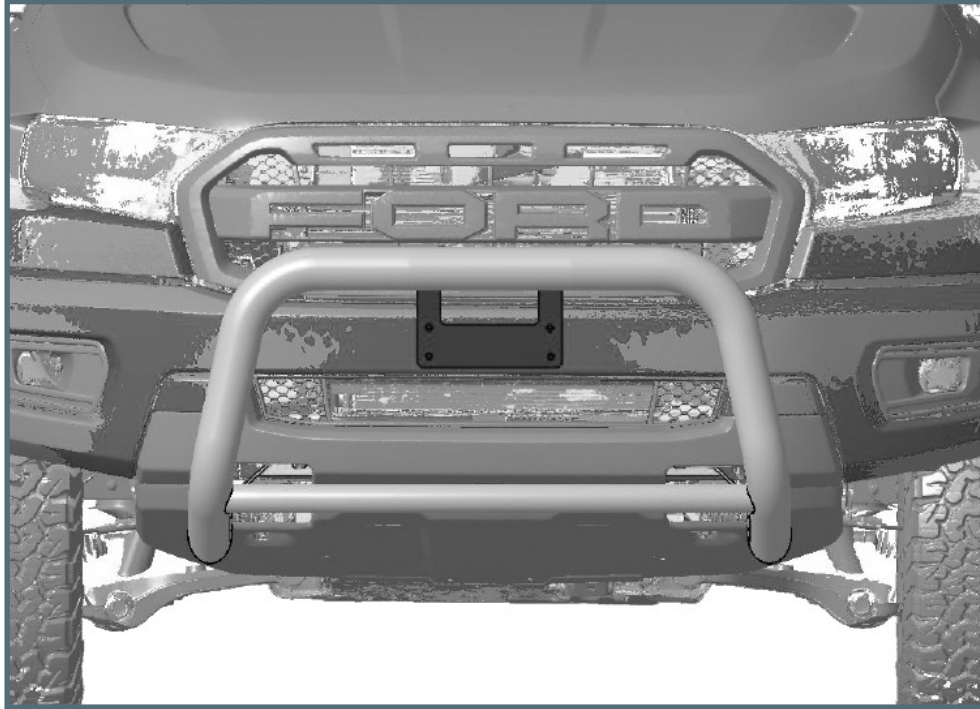
# 15V 4213R

## Ford Ranger Raptor; Md. 2019

EU-Pedestrian Protection Bar 76 mm with cross pipe 51 mm

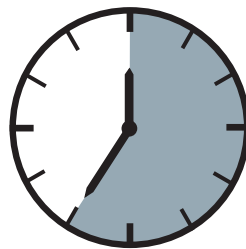
EU-Personenschutzbügel 76 mm mit Querrohr 51 mm

Protection avant, homologuée CEE, 76 mm, traverse 51 mm



# ASSEMBLY INSTRUCTION

Montageanleitung • Instructions de montage



35 Minuten

article no.:

15V4213R (S) inox

15V5213R black steel

Revision 2: 27.11.2023



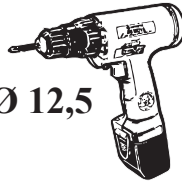
**M6:**  
10 Nm  
**M8(A2):**  
21,4 Nm  
**M6:**  
2 Nm



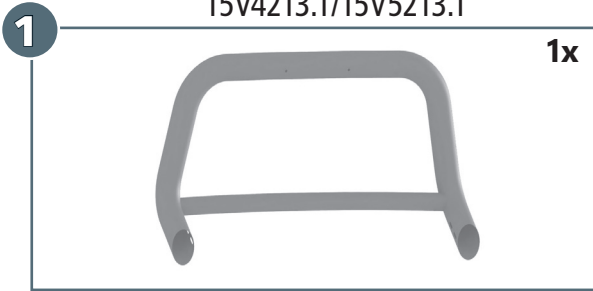
4  
5



Ø 12,5

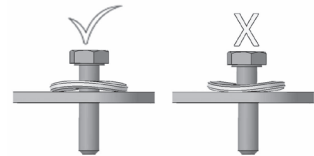
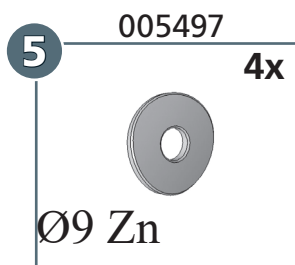
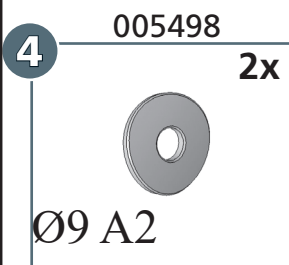
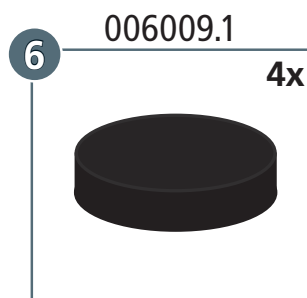
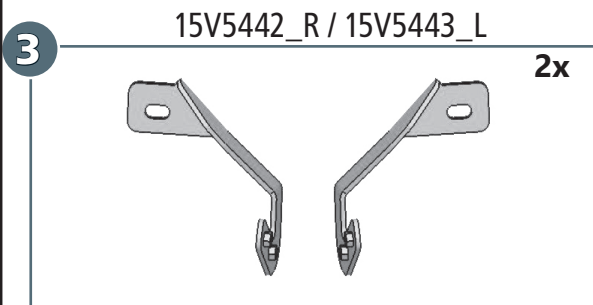
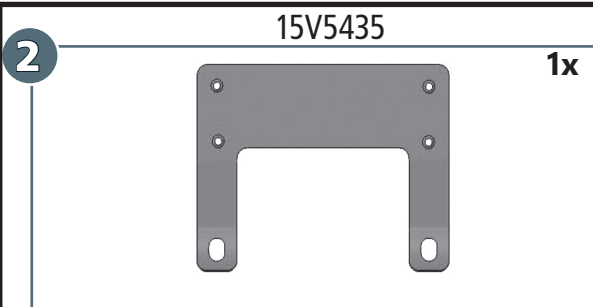


13



mounting kit: 15V9213R

	M6 x 25; DIN 7991 Zn	4x
	M8 x 25; ähnl. ISO 7380 Zn	4x
	M8 x 25; DIN 933 A2	2x
	Ø 4,8 x 19 mm; DIN 7981 A2	4x
	Ø 5,3; DIN 9021 A2	4x
	SW 13	2x
	Getowell M6	2x

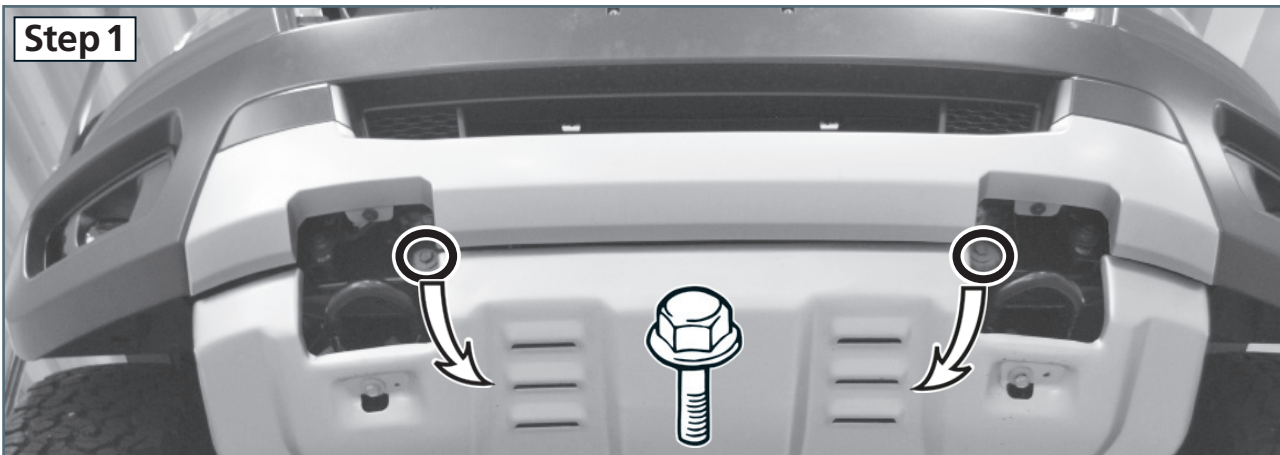


article no.:  
15V4213R (S) inox  
15V5213R black steel

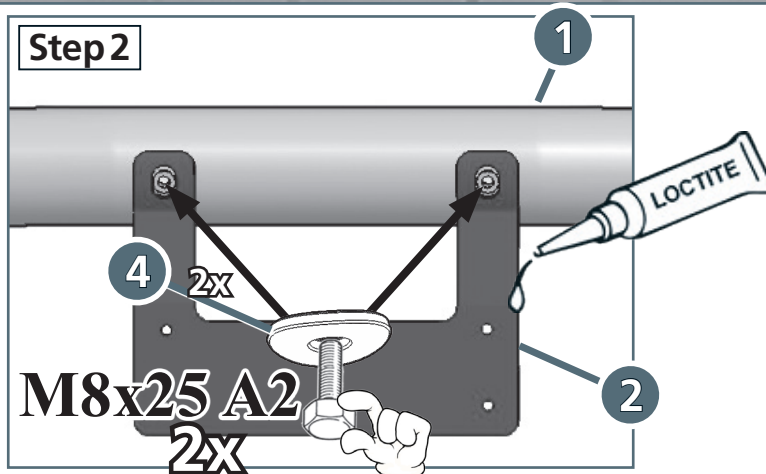
Revision 2: 27.11.2023



Step 1



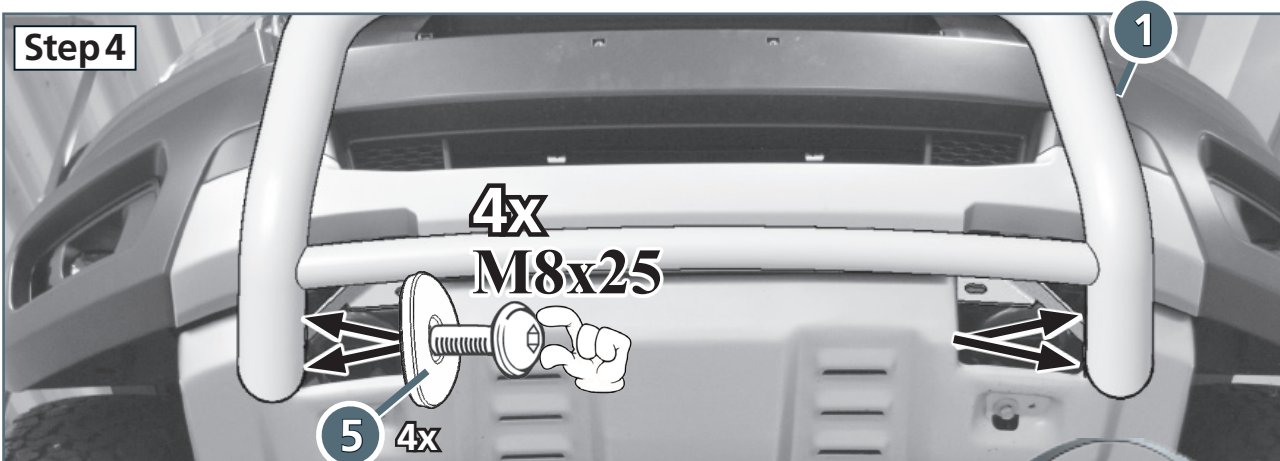
Step 2



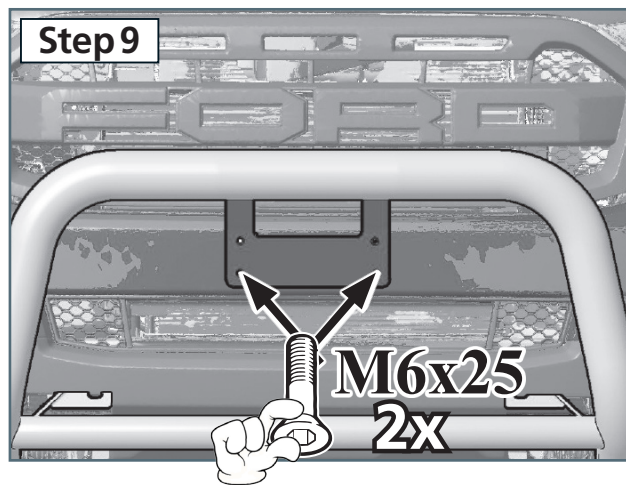
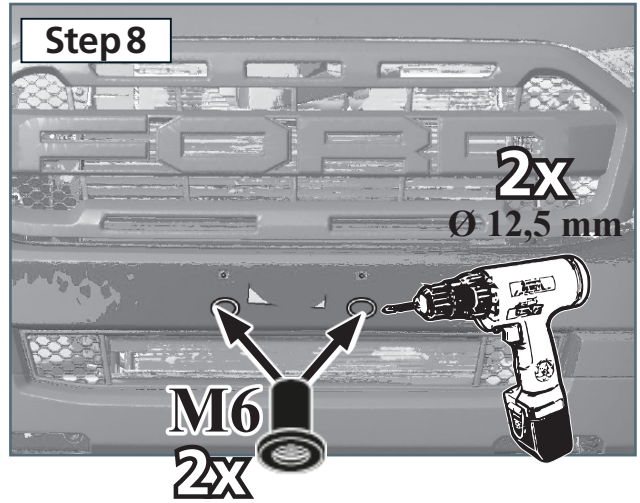
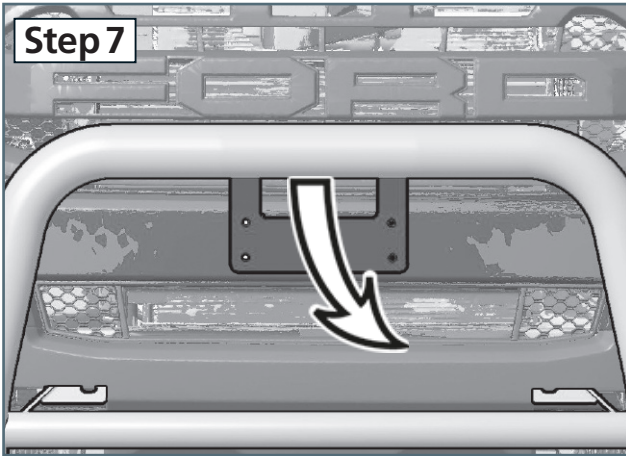
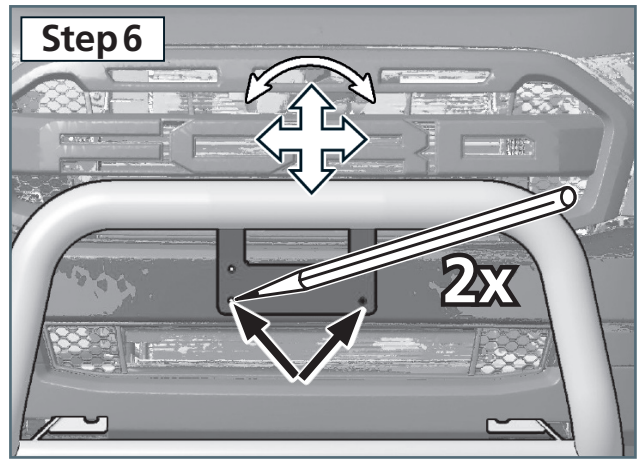
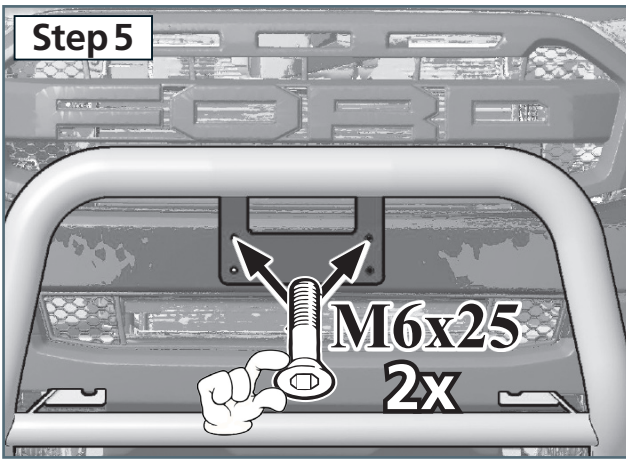
Step 3

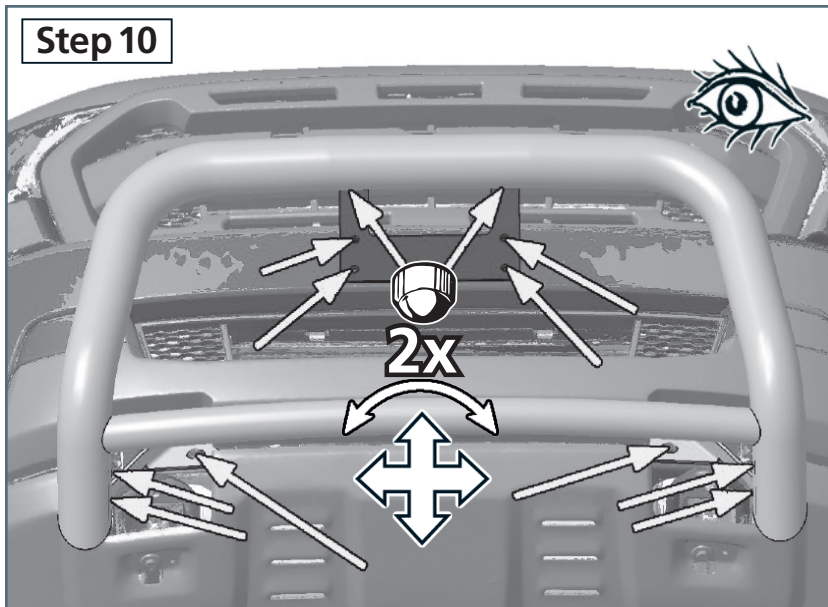


Step 4









**M6:**  
10 Nm

**M8(A2):**  
21,4 Nm

**M6:**  
2 Nm

