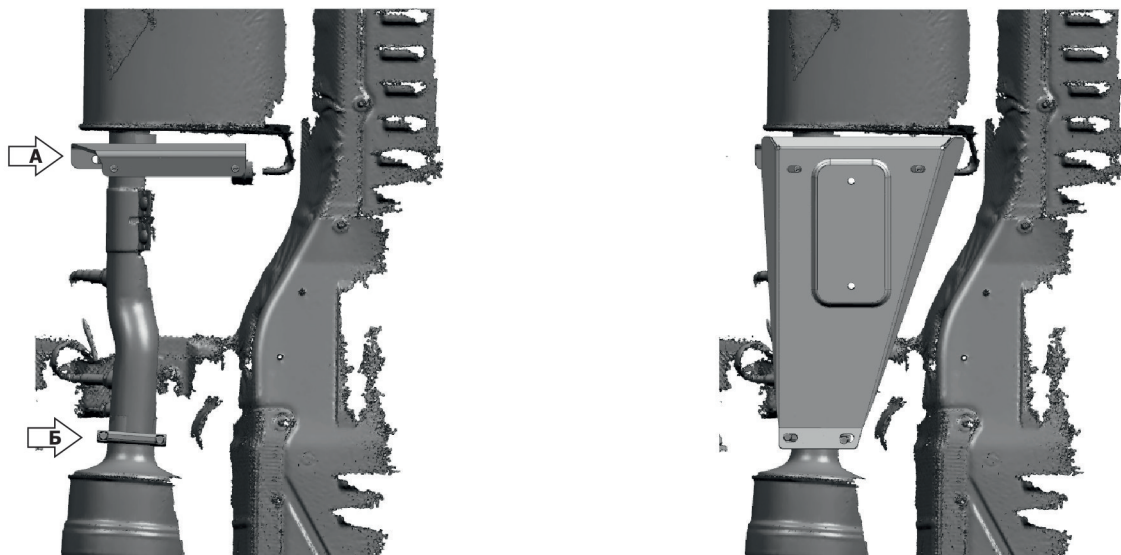
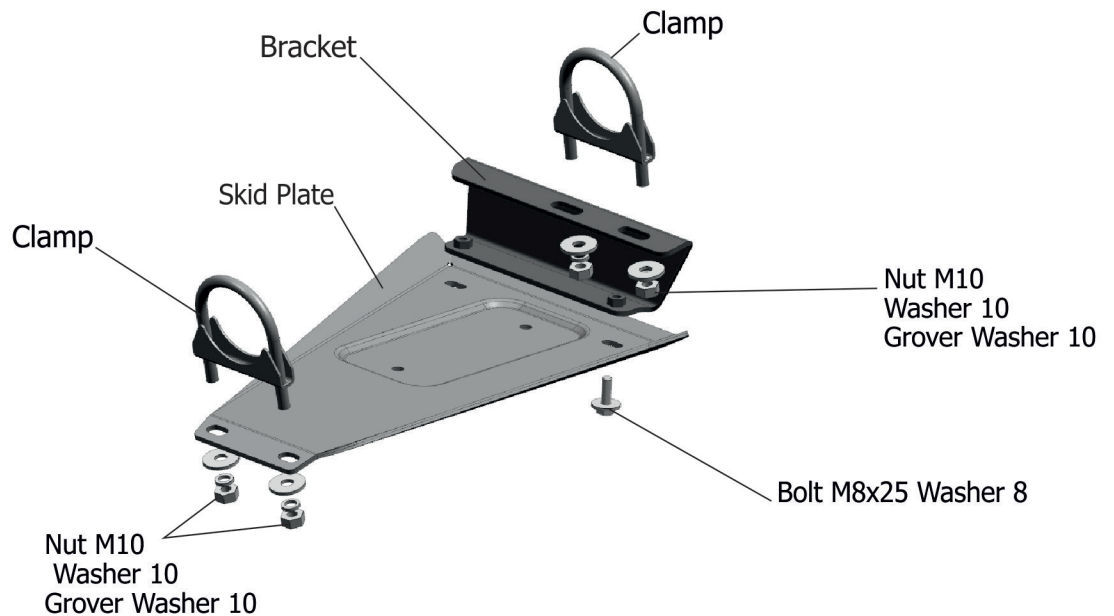


Brand	Model	Year	Engine	Gearbox	Drive
Volkswagen	Caravelle	2015-	ALL	Manual, Auto	FWD;AWD
Volkswagen	Multivan	2015-	ALL	Manual, Auto	FWD;AWD
Volkswagen	Transporter T6	2015-	ALL	Manual, Auto	FWD;AWD



**Installation manual:**

1. Mount clamp on muffler and fix bracket using nuts M10(A).
2. Mount clamp(B)
3. Mount skid plate: front part mount on bracket using bolts M8x25, rear part mount on clamp using nutsM10.
4. Tighten all screws with required torque

**Content:**

Name	QTY	Torque
Bolt M8X25	2 pcs.	24.0 Nm
Nut M10	4 pcs.	
Washer M8	2 pcs.	
Washer M10	4 pcs.	
Grover washer M10	4 pcs.	
Skid plate	1 pc.	
Bracket	1 pc.	
Clamp	2 pcs.	