

TOYOTA LAND CRUISER 200 / LEXUS LX570

No.: 5713.2/6 Engine block & gearbox
5714.2/6 Transfer case 5715.3/6 Gearbox

Year: 2008-
Engine: 4.5; 4.7 / 5.7
Transmission: AT

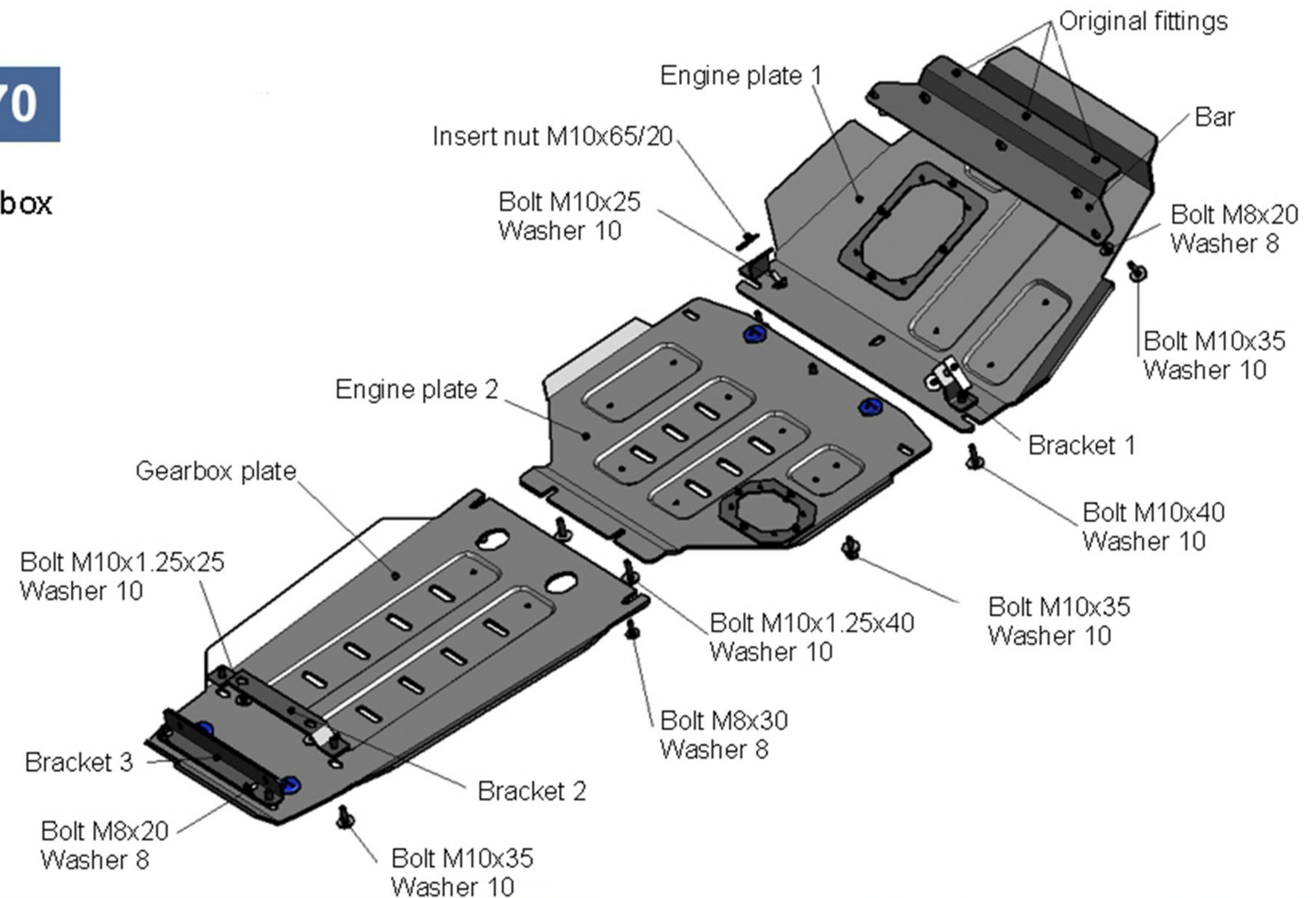
FITTING KIT

1. Bolt M8x20.....	4 pc
2. Bolt M8x30.....	2 pc
3. Bolt M10x25.....	2 pc
4. Bolt M10x35.....	6 pc
5. Bolt M10x40.....	2 pc
6. Bolt M10x1.25x25.....	2 pc
7. Bolt M10x1.25x40.....	2 pc
8. Washer 8.....	6 pc
9. Washer 10.....	14 pc
10. Insert nut M10x65/20.....	2 pc
11. Bar.....	1 pc
12. Bracket 1.....	2 pc
13. Bracket 2.....	1 pc
14. Bracket 3.....	1 pc

INSTALLATION INSTRUCTIONS

1. Remove original guard.
2. Mount bar with original fittings.
3. Fix brackets 1 to apertures in front suspension bar with insert nuts M10x65/20 and bolts M10x25.
4. Mount bracket 3 to cross-bar and fix it with bolts M8x20.
5. Fix front end of gearbox plate to original threaded apertures with bolts M8x30, then fix its rear end to bracket with bolts M10x35.
6. Mount engine plate 2 over gearbox plate to underframe with bolts M10x1.25x40 and to brackets 1 with bolts M10x40.
7. Mount engine plate 1 over engine plate 2, fix it to mounted bar and brackets 1, then connect engine plate together with bolt M10x35.
8. Tighten all screws (50 Nm for M10, 30 Nm for M8, 10 Nm for M6). Do not use pneumatic or power tools to tighten.

*For more info about compatibility with other models please see the sticker on the skid plate



WWW.RIVAL4X4.COM