

Check vehicle manual

After installation, check the correct operation of all elements.

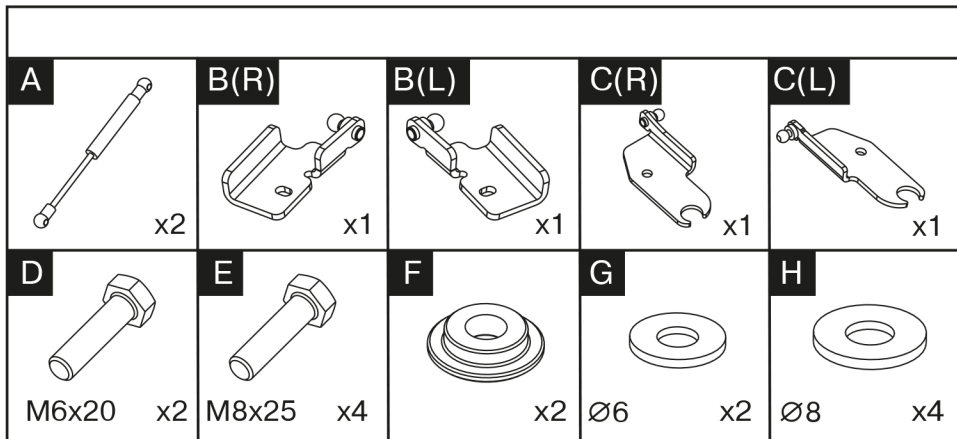
Mitsubishi Pajero IV

HOOD GAS STRUTS

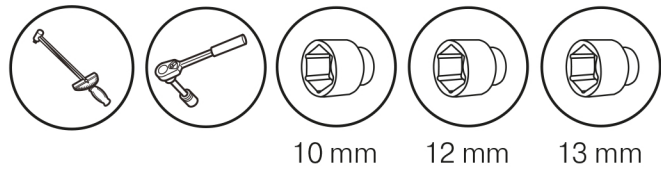
Installation Instructions



Model year:	2006-
Part No.:	2A.ST.4004.1
Compatibility:	all types
Weight:	⚖️ 1 kg
Installation time:	🕒 30 min



Required Tools



! Attention!

Before installation of gas struts, open the hood and check that there is no additional equipment installed in engine bay which can block installation.

